



Upgrade Kit B6495 for Soft shift valve - 3.6 MW Power pack

Applies for the following item numbers: B4000

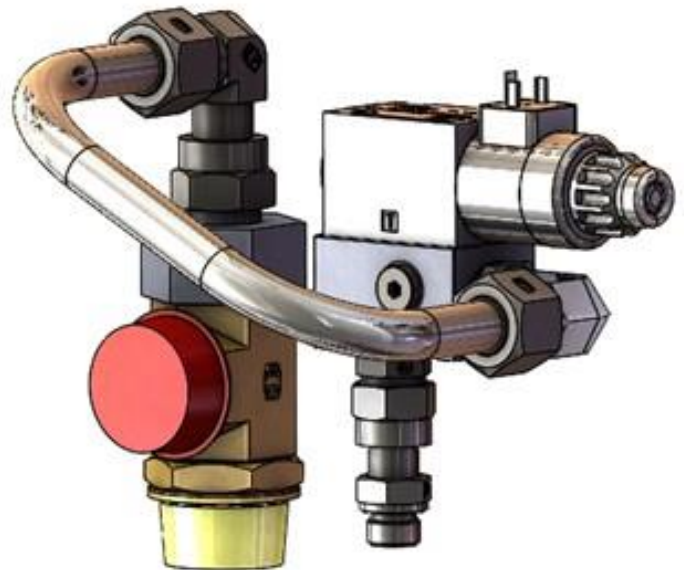
Purpose

Some of our customers have experienced burst hydraulic hoses and fatigue of the manifold due to pressure peaks in the system. The soft shift valve prevents these pressure peaks as seen on the graphs.

Solution

Installing the soft shift valve from Hydratech Industries gives the following advantages

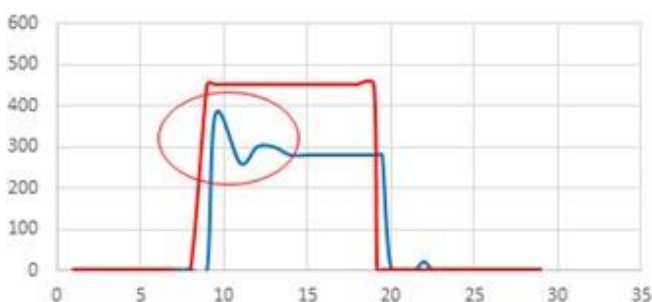
- Slow pressure increase
- Slow flow increase
- Reduced pressure shock
- Reduced stress
- Lower water content in the oil
- Prevents cracked heat exchanger
- Prevents fatigue of the manifold



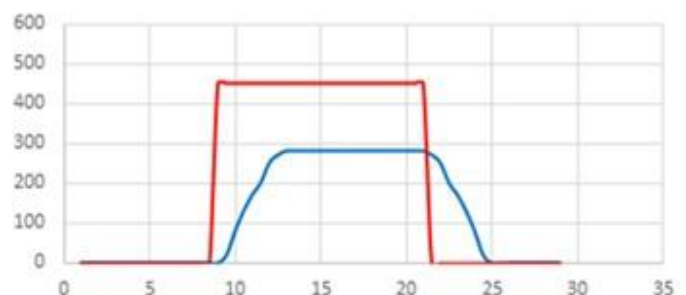
Document can be retrieved by contacting servicehwp@hydratech-industries.com.

Please contact our service department for further information.

Normal Pressure curve



Soft shift valve, pressure curve



Hydratech Industries

Your

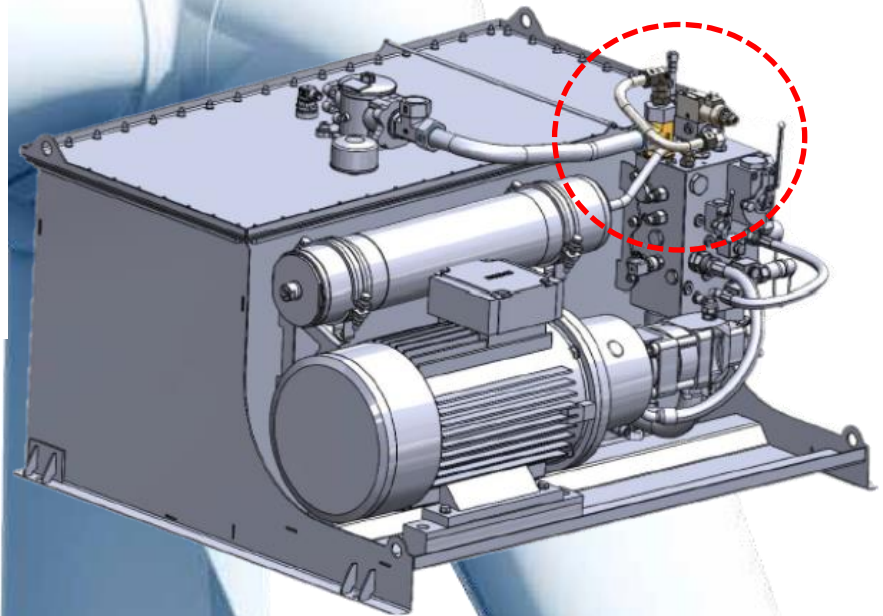
Regular

Maintenance

Supplier of

- Pitch Cylinders
- Filters
- Burst Discs
- Valves
- Accumulators
- Pumps
- Motors
- **Upgrade Kits**
- Complete Hydraulic Units
- Tool Kits

- *More than 30 years experience*
- *Competitive prices*
- *Technical support*
- *Spare parts & repair*
- *Online access to documentation*



Contact us 24-7

Europe

Suensonsvej 14
DK-8600 Silkeborg

E-mail: servicehwp@hydratech-industries.com
Tel.: +45 8722 8181

USA

P.O. Box 2618
22955 McAuliffe Dr.
Robertsdale, AL 36567

E-mail: servicehwpUS@hydratech-industries.com
Tel.: +1 251 947 5300